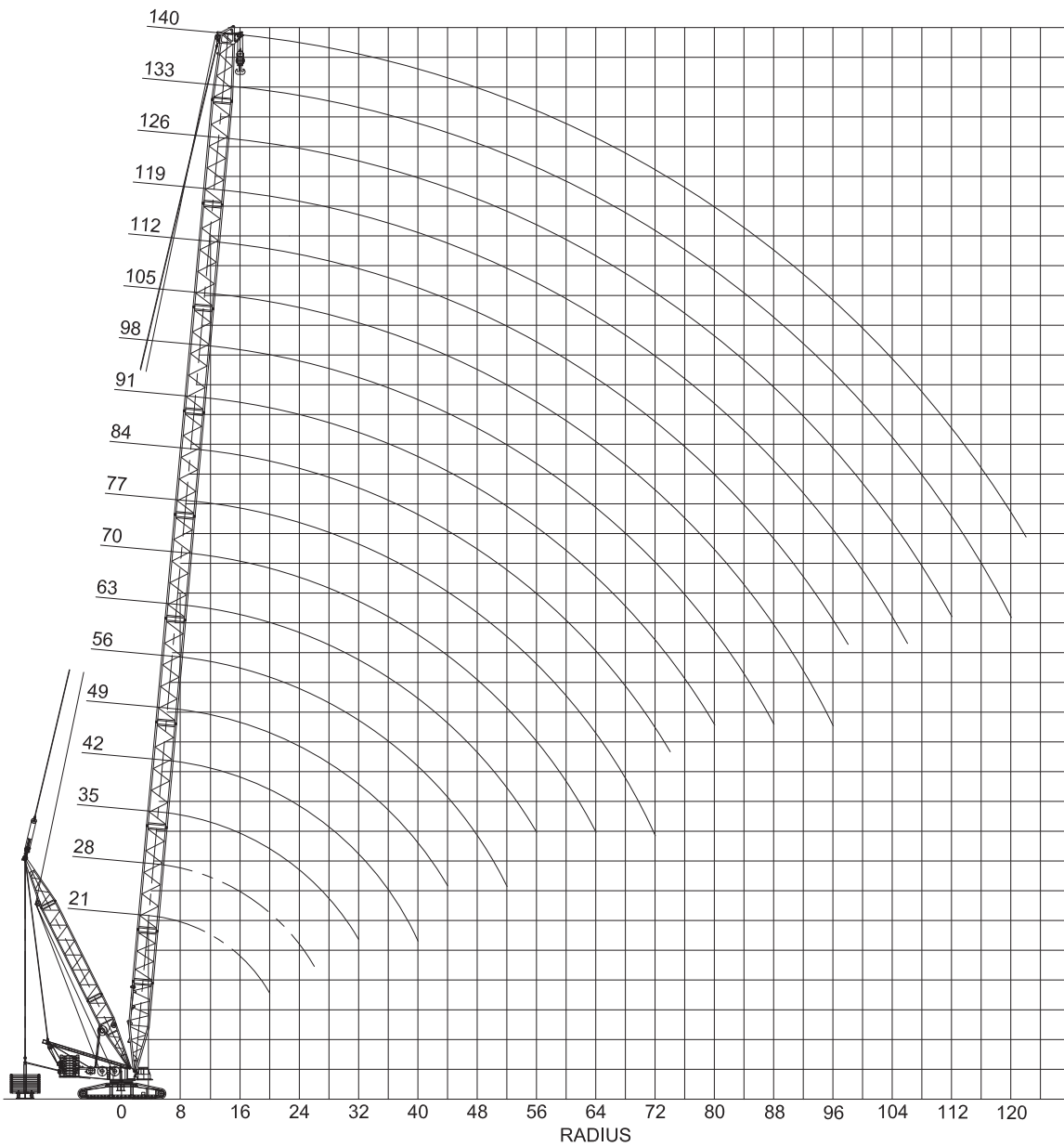


Dimensions are in millimeters.
 The content in this document is mentioned for reference use only. Values may differ from current data. Always contact Mammoet for current project calculations.



Dimensions are in meters.
 The content in this document is mentioned for reference use only. Values may differ from current data. Always contact Mammoet for current project calculations.

Main boom

- Crawler base: 10.6x8.8 m
- Ballast: 245 - 70 t + 95 - 20 t

Boom length (m)	Center ballast (t)	Ballast (t)	Radius (m)																														
			6	7	8	9	10	11	12	14	16	18	20	22	24	26	28	30	32	34	36	38	40	42	44	46	50	54	58	62	66	70	74
21	20	70	491	373	300	249	212	184	161	123	98	80	67																				
	45	170	567	532	468	418	375	333	289	223	181	151	128																				
	95	170	600	532	468	418	375	336	305	241	196	163	139																				
	245							373	342	289	248	212	181																				
28	20	70	328	268	226	194	169	150	120	97	80	67	56	48.5	42																		
	45	170	530	466	403	350	308	274	223	181	150	128	111	97	86																		
	95	170	530	466	415	373	334	298	241	195	163	139	121	106	94																		
	245					453	408	371	340	287	246	211	181	158	140	125																	
35	20	70	290	241	205	177	155	138	111	91	77	65	55	47	40.5	35	30.5	26.6															
	45	170	514	430	369	322	285	255	210	177	149	127	109	96	85	76	68	61															
	95	170	527	463	400	349	309	277	228	193	162	138	119	105	93	83	75	68															
	245		557	505	450	405	368	337	285	244	210	180	156	138	123	111	100	91															
42	20	70		218	186	162	143	127	102	84	71	60	51	44	38	33	28.8	24.7	21.1	18.1	15.5	13.3											
	45	170		392	339	298	265	238	197	166	143	125	108	94	83	74	66	60	54	49	45	41.5											
	95	170		424	368	323	288	259	214	182	157	136	118	103	91	81	73	66	60	55	50	46											
	245		503	448	403	366	334	278	237	205	178	155	136	121	109	98	89	82	75	69	64												
49	20	70		197	170	148	131	116	94	77	64	54	45.5	39	33	28.2	24.1	20.4	17.3	14.6	12.2	10	8.2	6.4									
	45	170		358	312	276	246	222	184	156	134	117	103	91	81	72	64	57	52	46.5	42.5	38.5	35.3	32									
	95	170		388	339	300	268	242	201	171	147	129	113	101	89	79	71	63	57	52	47.5	43.5	40	36.5									
	245		496	434	385	346	313	261	223	194	171	152	134	119	107	96	87	79	73	67	62	57.5	53										
56	20	70			155	136	120	107	86	71	59	49	41	34.5	28.9	24.2	20.1	16.6	13.5	10.8	8.4	6.3											
	45	170			289	256	230	208	173	147	126	110	96	85	76	68	61	55	49.5	44.5	40	36.5	33	29.5	26.8	21.9							
	95	170			314	279	251	227	189	161	139	121	107	95	85	76	69	62	55	50	45.5	41	37.5	34	31.1	26							
	245				403	360	324	294	247	212	184	162	144	129	116	105	94	85	77	71	65	59	55	51	47.5	41							
63	20	70				127	112	100	81	66	54	45	37.5	31	25.6	21	17	13.5	10.4	7.7	5.3												
	45	170				241	216	196	164	139	120	104	91	81	72	64	57	51	46	41.5	37	33.5	30.4	27.3	24.5	19.4	15.3						
	95	170				262	236	214	179	153	132	115	102	90	80	72	65	58	53	47.5	43.5	39.5	35.8	32	28.9	23.4	19						
	245					339	306	279	235	202	176	155	138	123	111	101	92	84	76	69	63	58	53.5	49	45.3	38.5	33						
70	45	170				225	203	185	155	132	113	98	86	76	67	60	53	47.5	42.5	38	34	30	26.9	23.9	21.4	16.7	12.8	9.4	6.5				
	95	170				246	222	202	170	145	125	109	96	85	76	68	61	54	49	44	39.5	36	32.5	29.1	26.4	21.1	16.6	12.8	9.7				
	245					319	289	264	223	192	168	148	132	118	106	96	87	79	72	66	61	56	51.5	47	43.3	36.5	30.8	25.8	21.8				
77	45	170				192	175	147	125	108	94	82	72	64	56	50	44.5	39.5	35	31	27.3	24.2	21.1	18.6	13.8	9.8	6.5						
	95	170				210	192	162	138	120	104	92	81	72	64	57	51	45.5	41	36.5	33	29.6	26.2	23.4	18.3	14.1	10.3	7	4.5				
	245					274	251	213	184	161	142	126	113	102	92	83	76	69	63	58	53	48.8	44.5	41	34.5	28.8	23.7	19.4	15.8	12.8			
84	45	170				182	166	140	119	103	89	78	68	60	53	46.5	41	36.5	32	28.1	24.5	21.4	18.4	15.8	11.2	7.2							
	95	170				199	182	154	132	114	99	87	77	68	61	54	48	42.5	38	34	30	26.7	23.4	20.6	15.6	11.3	7.4						
	245					261	239	204	176	154	136	121	108	97	88	79	72	65	60	54	49.5	45.5	41.5	38	31.6	26.1	21.6	17.4	13.8	10.6	7.8		

t = metric tons.

The content in this document is mentioned for reference use only. Values may differ from current data. Always contact Mammoet for current project calculations.

Main boom with derrick

- Crawler base: 10.6×8.8 m
- Ballast: 245 - 220 t + 95 t

Boom length (m)	Superl. ballast (t)	Radius (m)																																					
		7	8	9	10	12	14	16	18	20	22	24	26	30	34	38	42	46	50	54	58	62	66	70	74	78	82	86	90	94	98	102	106	110	114	118			
35	0	440	439	431	399	332	279	240	205	175	153	134	120	98																									
	400	600	600	600	600	600	576	541	512	458	402	357	315	249																									
42	0		428	422	396	323	269	229	198	174	151	133	118	95	79	67																							
	400		600	600	600	600	567	531	496	466	434	391	354	286	235	191																							
49	0		422	417	373	302	252	215	187	164	146	130	115	93	77	64	55																						
	400		600	600	600	597	554	518	483	450	420	394	365	307	255	216	183																						
56	0			391	349	285	239	205	178	157	139	125	112	91	75	63	53.5	45.8	39.8																				
	400			600	600	581	537	499	464	432	403	377	357	311	266	226	195	169	145																				
63	0				327	269	227	195	169	149	132	118	107	88	73	61	51.5	43.5	37	31.4																			
	400				559	555	512	473	439	410	383	359	339	302	264	230	200	174	153	134																			
70	0				308	255	215	185	162	142	126	113	102	83	69	58	49	41.5	34.8	29	24.4	20.4																	
	400				474	472	470	445	415	388	364	341	324	293	260	230	203	177	156	138	123	109																	
77	0					241	205	176	154	135	120	107	96	79	65	54	45	37.8	31.8	26.5	21.8	17.8	14.3	11.5															
	400					403	402	401	387	364	342	323	305	274	242	213	191	172	155	139	125	112	100	88.5															
84	0					228	194	168	146	129	114	102	91	74	61	50	41.5	34.3	28.2	23.1	18.6	14.8	11.7	8.7	6.1														
	400					346	345	344	343	341	327	310	294	262	231	205	186	168	152	137	124	112	101	91	81.5														
91	0					217	185	160	140	123	109	97	87	70	57	46.5	38.3	31.2	25.1	20.1	15.7	11.7	8.2																
	400					298	297	297	296	295	293	284	274	249	221	196	177	161	147	134	121	110	99.5	90.5	82	74	66.5												
98	0					206	177	153	134	118	105	93	83	67	54	44	35.8	28.8	22.9	17.8	13.4	9.4																	
	400					258	257	256	256	255	254	252	247	232	211	189	170	154	141	129	118	108	98.5	90	82	74.5	67.5	61											
105	0					170	148	129	114	101	90	81	65	52	42.5	34.3	27.4	21.4	16.4	12.1	8.2																		
	400					221	220	219	217	215	214	213	208	197	179	162	147	134	123	113	104	95	87	79.5	73	67	61	55	49.3										
112	0					163	142	125	110	98	87	78	63	50	40.5	32.8	25.9	20.1	15.2	10.8	7																		
	400					192	192	191	191	191	191	190	190	187	177	159	145	132	120	111	102	94	86	78.5	72	66	60	54.5	49.3	44									
119	0					156	136	120	106	94	83	75	60	48	38.5	30.8	23.9	18.2	13.3	8.8																			
	400					167	167	166	166	165	165	164	164	161	156	151	140	128	117	108	99	91	83.5	76.5	68.5	62	57.5	52.5	48	43.5	38.8	34.3							
126	0						130	114	101	89	80	71	57	45	36	28.4	21.7	16.1	11.3																				
	400						144	143	143	143	142	142	141	140	138	135	131	123	112	103	95	87.5	81	74.5	68	62.5	57.5	52.5	47.5	43	38.8	34.5	30.4						
133	0						124	110	97	86	76	68	54	43	33.5	26.3	19.8	14.3	9.1																				
	400						124	123	123	123	122	122	122	119	116	114	111	107	104	98.5	91.5	84.5	78	72	66	60.5	55.5	50.8	45	39.5	35.8	32.3	28.8	25.3	21.8				
140	0						105	105	94	83	74	66	52	41.5	32.5	25	18.6	13	7.7																				
	400						105	105	104	104	103	103	102	101	99	97	95	93	90.5	87.5	84.5	80	74	68	62.5	57.5	53	48.8	44.3	40	36	32.3	28.6	25.1	21.6				

t = metric tons.

The content in this document is mentioned for reference use only. Values may differ from current data. Always contact Mammoet for current project calculations.

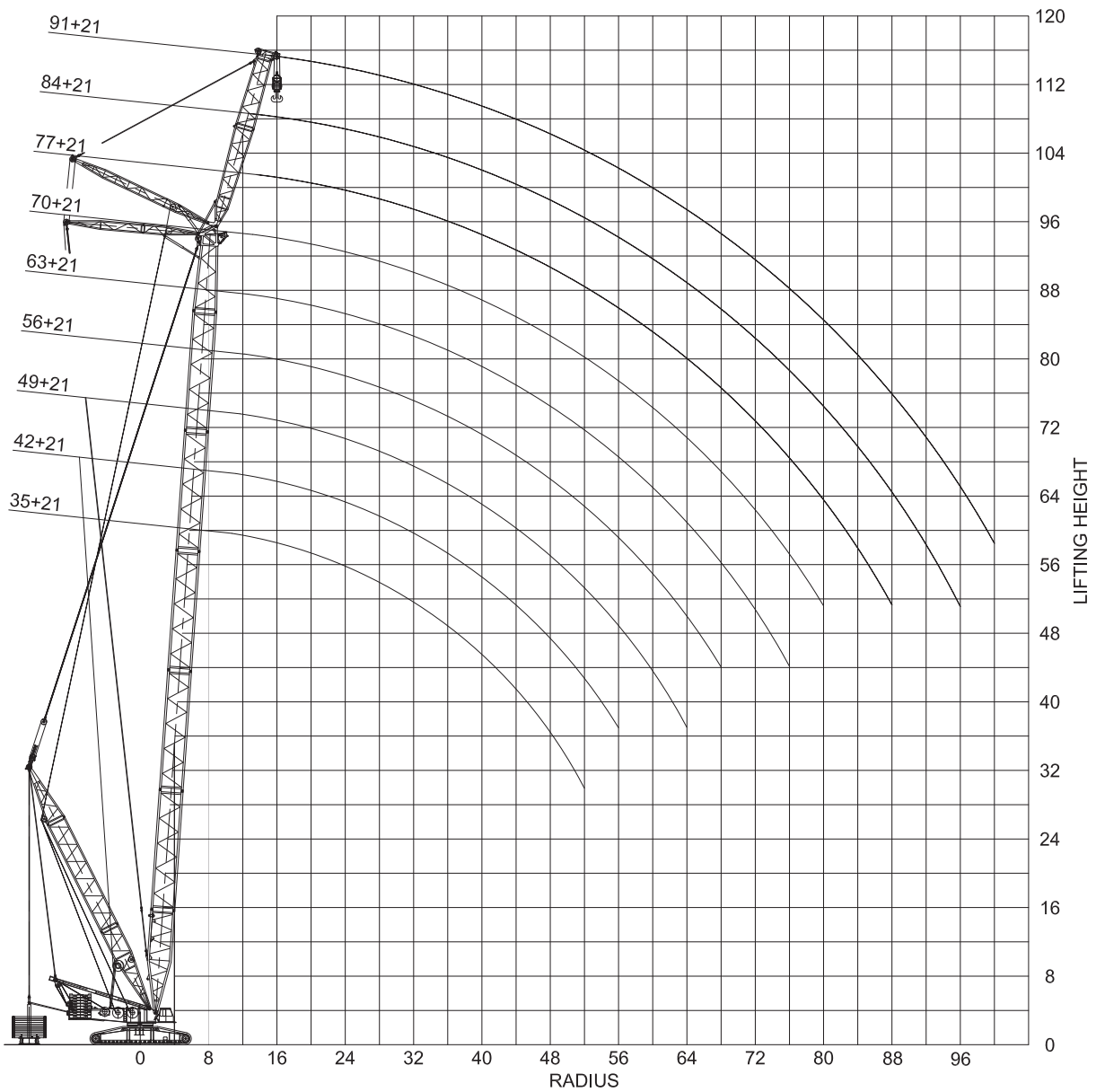
Main boom with derrick

- Crawler base: 10.6×8.8 m
- Ballast: 245 - 170 t + 95 - 45 t

Boom length (m)	Center ballast (t)	Ballast (t)	Superl. ballast (t)	Superl. radius (m)	Radius (m)																																	
					7	8	9	10	12	14	18	22	26	30	34	38	42	46	50	54	58	62	66	70	74	78	82	86	90	94	98	102	106	110				
35	45	170	400	20	400	400	400	400	400	400	400	395	321	254																								
	95	170	0	13	400	400	400	376	300	249	178	133	105	86																								
42	45	170	400	20		400	400	400	400	400	400	400	346	293	242	198																						
	95	170	0	13		393	385	350	282	235	175	132	104	84	71	60																						
49	45	170	400	20		400	400	400	400	400	400	395	345	300	263	224	191																					
	95	170	0	13		388	367	326	265	222	165	130	102	83	69	58	50.3																					
56	45	170	400	20			400	400	400	400	396	381	337	299	264	230	202	178	153																			
	95	170	0	13			340	304	249	209	157	123	100	81	67	56	48.3	41.5	36.3																			
63	45	170	400	20				393	391	388	385	373	328	297	263	236	205	181	162	143																		
	95	220	0	13				321	278	235	178	141	114	96	80	67	57.5	49.8	43.5	38.3																		
70	45	170	400	20				371	370	368	366	361	322	291	262	235	211	183	161	146	132	117																
	95	245	0	13				332	283	241	178	137	110	93	79	68	57	47.5	40.8	36.5	32.5	28.6																
77	45	170	400	20					328	327	326	322	300	280	255	225	201	180	160	145	133	122	110	98.5														
	95	245	0	13					270	231	177	137	109	89	77	66	56.5	48	40	34	30.1	26.6	23.4	20.3														
84	45	170	400	20					301	301	299	279	260	245	230	213	196	179	161	144	129	119	110	100	90.5													
	95	245	0	13					255	219	168	134	105	86	72	62	53.8	45.5	38	30.9	25.4	22	19.3	16.6	14.2													
91	45	170	400	20					245	244	242	230	215	202	191	181	172	163	154	142	127	115	105	97.5	90	82												
	95	245	0	13					245	212	164	132	106	86	72	61	52.3	43	35.5	29.9	24.8	20.6	17.8	15.5	13.3	11.3												
98	45	170	400	20					222	221	216	213	201	191	182	174	166	159	149	138	126	114	102	93.5	87	81	74.5	68										
	95	245	0	13					222	202	156	125	102	82	70	60	50.3	41.3	33	26.4	21.7	17.3	13.7	11.4	9.8	8.3	6.8	5.4										
105	45	170	400	20					181	178	175	172	165	156	147	140	133	127	121	116	111	103	93.5	86	80	74.5	69	63	57.5									
	95	245	0	13					181	152	122	100	83	67	56	47	40	33.8	27.8	22.4	17.3	13.2	10.7	9.2	7.7	6.3	5											
112	45	170	400	20					162	160	158	157	154	146	139	132	127	122	116	111	107	101	92.5	83.5	76.5	71.5	66.5	61.5	56.5	51.5								
	95	245	0	13					162	144	116	95	78	64	52	43.3	36.3	30.8	25.8	21.2	16.9	12.8	9	5.7	4													
119	45	170	400	20					132	130	129	127	126	125	120	115	111	106	102	97	93	89	85	81	76	70.5	65.5	61	56.5	51.8	47.5	43.3						
	95	245	0	13					132	130	112	92	76	63	52	42	34	27.3	22.5	18.4	14.7	11.1	7.8	5.1	3.7													
126	45	170	400	20					118	116	115	113	112	110	106	102	98.5	95	91.5	88	84.5	81.5	78.5	74	68.5	63.5	59	55	50.8	46.5	42.5	38.5						
	95	245	0	13					118	108	88	73	61	50	40	31.6	24.1	19	16.1	13.4	10.9	8.7	6.3															
133	45	170	400	20					100	100	99	98	94	90	86	82.5	79	76	73	69.5	66.5	64	61.5	59	56.5	54	52	50	47.3	43.5	40	36.8						
	95	245	0	13					100	100	84	70	58	48	38.5	29.6	22.4	17.1	12.4	8.3	5.9	4.9																

t = metric tons.

The content in this document is mentioned for reference use only. Values may differ from current data. Always contact Mammoet for current project calculations.

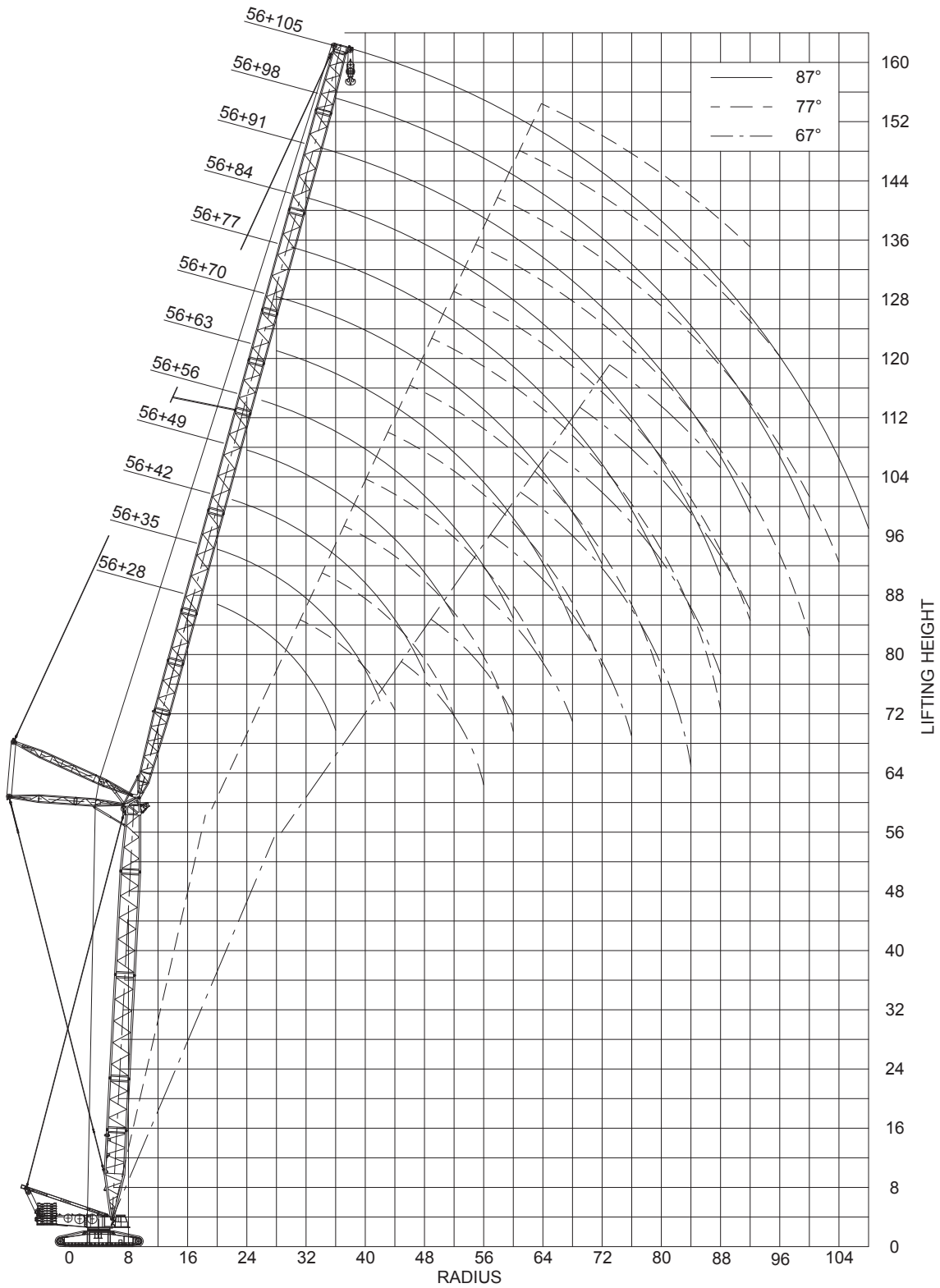


Dimensions are in meters.
 The content in this document is mentioned for reference use only. Values may differ from current data. Always contact Mammoet for current project calculations.

Boom length (m)	Jib length (m)	Jib offset (°)	Superf. ballast (t)	Radius (m)																																	
				10	12	14	16	18	20	22	24	26	28	30	32	34	36	38	40	42	46	50	54	58	62	66	70	74	78	82	86	90	94	98			
77	21	12	0			190	164	142	124	109	96	85	75	67	59	52	46	40.5	35.5	31.1	23.1	16.3	10.3														
			400			233	232	232	231	230	229	227	226	225	223	220	206	193	180	171	155	140	127	114	102	91	81.5	73	65	57	49.5						
	20	0				149	130	115	101	90	79	71	63	56	49	43.5	38.5	33.9	25.4	18.3	12.2																
		400				225	225	224	223	223	222	221	221	217	204	192	181	171	154	139	126	114	103	92	82.5	73.5	65	57.5	50.3								
84	21	12	0			156	136	118	104	91	80	71	63	55	48.5	42.5	37	32	27.8	19.9	13.1																
			400			202	200	199	198	196	195	194	192	191	189	188	183	172	162	145	132	120	109	98	88	78.5	70.5	63	56	49.5	43	36.8					
	20	0				143	125	109	96	85	75	67	59	52	46	40	35	30.6	22.3	15.3	9.2																
		400				195	194	193	192	191	190	189	188	186	184	182	172	163	146	132	120	109	98.5	89	79.5	71	63.5	56.5	49.8	43.3	37						
91	21	12	0			149	129	113	99	86	76	67	58	51	44.5	39	33.5	28.6	24.4	16.5	9.8																
			400			174	172	171	169	168	167	166	164	162	160	158	156	154	150	138	124	113	103	93	84	75.5	67.5	60.5	53.5	47	41.3	35.8	30.2				
	20	0				136	119	104	92	81	71	63	55	48.5	42.5	37	31.5	27.2	19.1	12.2																	
		400				170	168	167	166	164	163	162	161	158	156	154	152	149	137	124	113	103	93.5	84.5	76	68	60.5	54	47.8	41.8	36	30.3					

t = metric tons.

The content in this document is mentioned for reference use only. Values may differ from current data. Always contact Mammoet for current project calculations.



Dimensions are in meters.
 The content in this document is mentioned for reference use only. Values may differ from current data. Always contact Mammoet for current project calculations.

Boom length (m)	Jib length (m)	Superl. ballast (t)	Radius (m)																												
			14	16	18	20	22	24	26	28	30	34	38	42	46	50	54	58	62	66	70	74	78	82	86	90	94	98			
63	28	0		179	161	145	133	122	112	104	97																				
		400		250	243	236	227	219	213	207	203																				
35	0			155	141	128	118	109	101	94	82	73																			
		400			207	202	198	193	188	184	180	170	165																		
42	0				136	124	114	105	97	90	79	70	62.5																		
		400				175	171	168	164	161	157	151	145	141.5																	
49	0					131	119	110	101	94	87	76	67	60	54	48.8															
		400					150	147	145	143	141	139	133	127	123.5	120.5	113														
56	0						115	106	98	91	84	74	65	57.5	51.5	46.5	42														
		400						125	124	122	121	120	116	111	107	104	102	100													
63	0							101	93	86	80	70	61	54	48.3	43.3	39	35.3	31.6												
		400							106	105	104	103	101	98	94.5	91.5	88.5	86	84.5	81											
70	0								90	83	78	67	59	52.5	46.5	41.5	37	33.3	29.9	26.6	23.3										
		400								92	91	90	88	86	84	82	80	78	76	74	73	67.5									
77	0									78	74	65	56	50	44.3	39.3	35	31.3	27.9	24.5	21.1	18.1									
		400									77	76	74	72.5	71	69.5	68	66.5	65	63.5	62.5	61.5									
84	0										65	62	54	47.3	41.8	36.8	32.8	29.2	25.8	22.3	18.7	15.8	13.6	12							
		400										65	64	63	61.5	60.5	59.5	58	56.5	55.5	54.5	53.5	53	50.8							
91	0											56	52	46	40.5	36	31.9	28.3	24.9	21.4	17.6	14.8	12.7	11.1	9.7						
		400											56	55	54.5	53.5	52.5	51.5	50.5	49.5	48.8	48	47	46.3	45.8	45.5					
98	0												46	45.5	43	38.5	33.8	29.7	26.3	22.8	18.8	15.3	12.8	11.1	9.4	8	6.7	5.6			
		400												46	45.5	44.5	43.8	43	42	41	40	39.3	38.5	37.8	37.3	36.8	36.3	36	36		
105	0														39.5	39	38.3	36	31.8	27.8	24.3	20.4	16.3	13.3	11.2	9.3	7.8	6.3	5.1	4	2.9
		400														39.5	39	38.3	37.8	37	36.3	35.5	34.8	34.3	33.5	32.8	32.3	32	31.8	31.5	31.5
70	28	0		170	153	139	127	116	108	100	93																				
		400			217	212	207	200	192	186	182	179																			
35	0			148	134	123	113	104	97	90	79	70																			
		400				183	179	175	171	166	160	156	149	146																	
42	0				128	117	108	100	92	86	75	67	59.5																		
		400					157	154	150	147	143	139	132	127	123.5																
49	0					113	104	96	89	83	72	64	57	51.3	46.3																
		400					134	131	129	126	124	118	113	108.5	105.5	103.5															
56	0						100	93	86	80	70	62	55	49.3	44.3	40															
		400						113	111	109	107	104	101	97	93.5	90.5	88														
63	0							95	88	82	76	66	58	51	45.5	40.8	36.5	33	29.9												
		400							99	98	96	95	93	90	87.5	84.5	82	79.5	77	75.5											
70	0								84	79	73	64	56	49.8	44	39.3	35	31.4	28.3	25.2	22.1										
		400								84	83	82	80	79	76	74	72.5	71	69	67	65.5	64.5									
77	0									71	70	61	53	47	41.5	36.8	32.8	29.3	26.1	22.9	19.6	16.7									
		400									71	70	69	68	66.5	65	63.5	62	60.5	59.5	58	56.5	55.5								
84	0										60	58	52	45.8	40.5	35.8	31.7	28.3	25.1	21.9	18.4	15.5	13.4	11.8							
		400										60	58	57	55.5	54.5	53.5	52.5	51.5	51	50.5	49.5	48.5	47.8	47.3						
91	0											51	49.5	43.5	38.3	33.8	29.7	26.3	23.1	19.6	16	13.5	11.7	10.2	8.8	7.5					
		400											51	50	49.5	48.8	48	47	46	45.3	44.5	43.5	42.8	42	41.3	41	40.8				
98	0												42	41.5	40	36	31.4	27.6	24.3	20.8	17.1	13.9	11.8	10	8.4	7	5.8	4.8			
		400												42	41.5	41	40.3	39.8	39	38	37	36	35.3	34.8	34.3	33.5	32.8	32.5	32.5		
105	0															35.5	34.8	33	29.4	25.6	22.3	18.4	14.6	12	10.1	8.3	6.8	5.3	4.2	3	
		400															35.5	34.8	34.3	33.8	33.3	32.8	32	31.3	30.8	30.1	29.6	29.2	28.8	28.4	28.1

t = metric tons.

The content in this document is mentioned for reference use only. Values may differ from current data. Always contact Mammoet for current project calculations.

