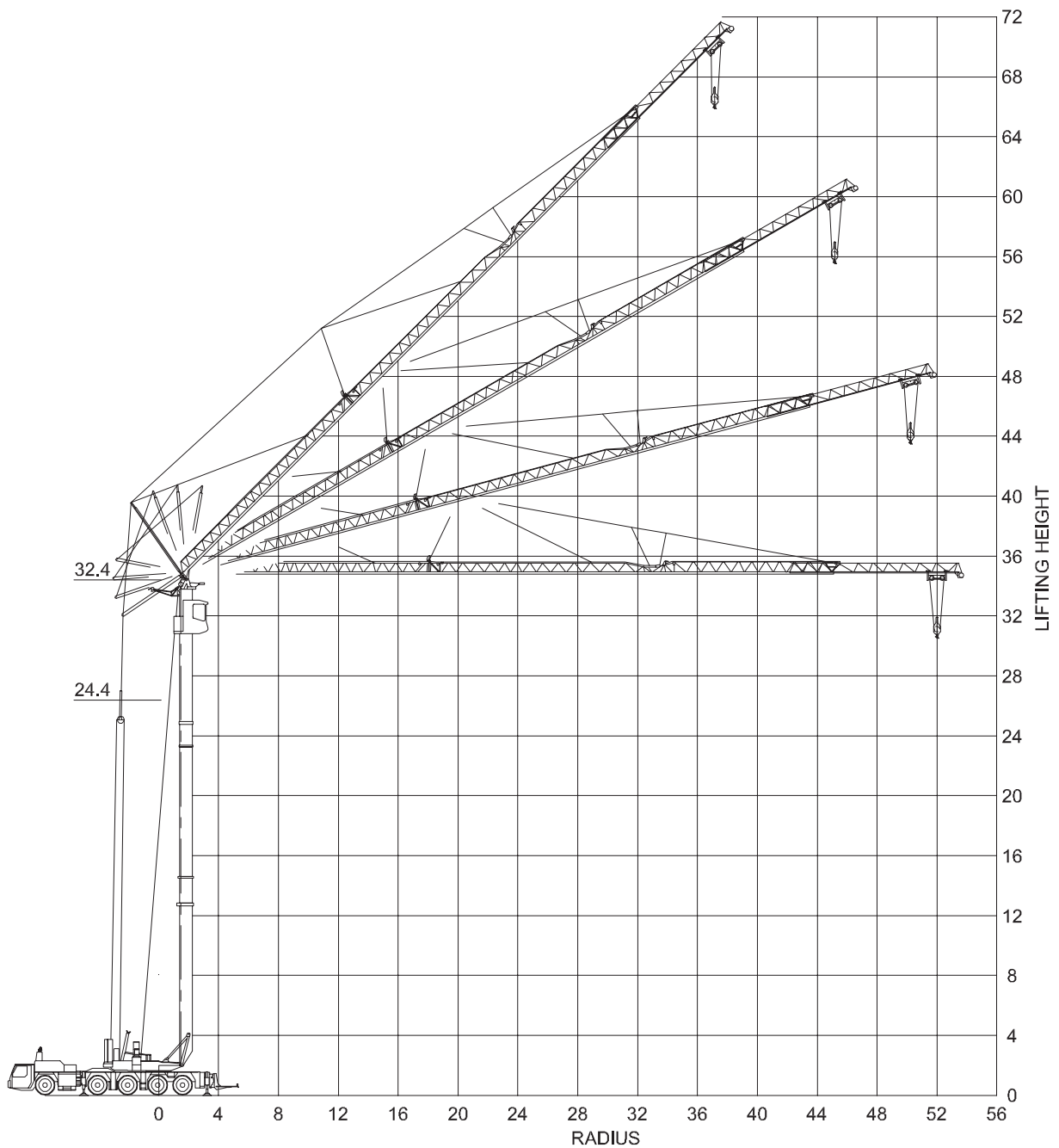


Crane dimensions are in millimeters. Radius diagram dimensions are in meters. The content in this document is mentioned for reference use only. Values may differ from current data. Always contact Mammoet for current project calculations.



Crane dimensions are in millimeters. Radius diagram dimensions are in meters.  
 The content in this document is mentioned for reference use only. Values may differ  
 from current data. Always contact Mammoet for current project calculations.

**Tower crane with folding jib**

- Outrigger base: 8.3×8.2 m

Boom length (m)	Jib length (m)	Jib offset (°)	Radius (m)																				
			3	14	16	18	20	22	24	26	28	30	32	34	36	38	40	42	44	46	48	50	52
32.4	52	0	8	8	7	5.9	5.3	4.7	4.3	3.8	3.5	3.2	3	2.8	2.6	2.4	2.3	2.1	2	1.9	1.8	1.7	1.6
		30	6	6	5.2	4.6	4.1	3.7	3.4	3.1	2.9	2.6	2.5	2.3	2.1	2	1.9	1.8	1.7				
	44	0	8	8	7.5	7	6.2	5.4	4.8	4.3	3.9	3.5	3.2	3	2.8	2.7	2.6	2.6	2.5				
		30	6	6	6	5.7	5.1	4.6	4.2	3.9	3.6	3.3	3.1	2.9	2.7	2.5							
24.4	52	0	8	8	7	5.9	5.3	4.7	4.3	3.8	3.5	3.2	3	2.8	2.6	2.4	2.3	2.1	2	1.9	1.8	1.7	1.6
		30	6	6	5.2	4.6	4.1	3.7	3.4	3.1	2.9	2.6	2.5	2.3	2.1	2	1.9	1.8	1.7				
	44	0	8	8	7.5	7	6.2	5.4	4.8	4.3	3.9	3.5	3.2	3	2.8	2.7	2.6	2.6	2.5				
		30	6	6	6	5.7	5.1	4.6	4.2	3.9	3.6	3.3	3.1	2.9	2.7	2.5							

**Tower crane with folding jib**

- Outrigger base: 8.3×6 m

Boom length (m)	Jib length (m)	Jib offset (°)	Radius (m)																				
			3	14	16	18	20	22	24	26	28	30	32	34	36	38	40	42	44	46	48	50	52
32.4	52	0	8	8	7	5.9	5.3	4.7	4.3	3.8	3.5	3.2	3	2.8	2.6	2.4	2.3	2.1	2	1.9	1.8	1.7	1.6
		30	6	6	5.2	4.6	4.1	3.7	3.4	3.1	2.9	2.6	2.5	2.3	2.1	2	1.9	1.8	1.7				
	44	0	8	8	7.5	7	6.2	5.4	4.8	4.3	3.9	3.5	3.2	3	2.8	2.7	2.6	2.6	2.5				
		30	6	6	6	5.7	5.1	4.6	4.2	3.9	3.6	3.3	3.1	2.9	2.7	2.5							
24.4	52	0	8	8	7	5.9	5.3	4.7	4.3	3.8	3.5	3.2	3	2.8	2.6	2.4	2.3	2.1	2	1.9	1.8	1.7	1.6
		30	6	6	5.2	4.6	4.1	3.7	3.4	3.1	2.9	2.6	2.5	2.3	2.1	2	1.9	1.8	1.7				
	44	0	8	8	7.5	7	6.2	5.4	4.8	4.3	3.9	3.5	3.2	3	2.8	2.7	2.6	2.6	2.5				
		30	6	6	6	5.7	5.1	4.6	4.2	3.9	3.6	3.3	3.1	2.9	2.7	2.5							

t = metric tons.

The content in this document is mentioned for reference use only. Values may differ from current data. Always contact Mammoet for current project calculations.